



kide

HIGH COOLING PERFORMANCE

COLD
ROOMS

Cold Rooms



Cold under control

KIDE it is a business Group manufacturer of cold-rooms, insulation panels, insulated doors, refrigeration units and drying units, offering integral solutions to its clients and developing valuable relations with the agents it works with.

It is aimed at different sectors where activity mostly deals with installers and distributors, and it seeks to stand out in terms of its quality and service, with a value proposal that sets it apart, being a group of reference in a national sphere while having international projection.

It is a Group of companies based on cooperative principles, integrated into the MONDRAGON Group, and whose final objective is to grow in a sustainable manner, creating wealth and well-being as well as support in cultural development within its surroundings.

Index

Introduction. 06

Universal cold room. 08

Everest cold room. 12

Industrial cold panel. 15

kide



Highest cold performance

ZERO LEAK

Kide guarantees total coldroom Insulation due to High Density PU (injected Polyurethane), which results in an optimum thermal insulation coefficient and perfect panel fitting.

SUPERCOP

SUPERCOP system works with a higher evaporation capacity, due to the large battery surface of the evaporator. Refrigeration units save up to 20 % of energy and the automatic defrosting by hot gas also means lower consumption.



MAXIMUM DOOR TIGHTNESS

Smart and innovative design for insulated doors. Always offering the maximum guarantee for water tightness and isolation.



Panel joint system with 200kg traction strength for totally tight fastening contributing to greater energy savings.

Kide cold rooms and panels

keys for constant evolution in kide

- / Highest Quality
- / Continuous Service Improvement
- / Innovation And Latest Technology
- / Respect For The Environment

Trusted for many years
by our customers



More than cold rooms, we offer integral service

There are many cold room manufacturers in the market, but not all offer such comprehensive and efficient service as Kide. Apart from designing and manufacturing a wide range of products, we are specialists in developing integral solutions.



Doors



Refrigeration equipment



Kideblock: Wall unit



Kidesplit, split unit



Wall industrial unit

Shelving



Made from anodized aluminium and polyethylene. Available in many sizes. Wheels are optional.

Kide universal cold room



KIDE'S UNIVERSAL MODULAR COLDROOM represents a new generation in modular coldrooms thanks to its many advantages.

- / Fully interchangeable panels
- / Much simpler assembly
- / Easy to extend in any direction
- / More practical to store and transport



Express service obsessed with speed

Speed at KIDE is an ongoing commitment, speed of cold room assembly and, it goes without saying, speed of delivery. Our Express Service guarantees your UNIVERSAL MODULAR COLD ROOM will be manufactured in just 48 hours*. But that's not all, as we can also provide the corresponding refrigeration equipment in the same timeframe.

* Leaves factory on the second working day after date of order.





Even quicker and easier to assemble

Cold room assembly has been made simpler by unifying panel design, making them interchangeable. Any panel can be used for a wall or the ceiling, as they all incorporate an exclusive system whereby they can be assembled in any position.

Assembly is fast thanks to a simple hexagonal key supplied with the cold room. A great feature that translates into important time and cost savings.

It's never been easier to expand a cold room

With the UNIVERSAL MODULAR COLD ROOM it's really easy to expand the size of a pre-installed cold room in both directions.

The UNIVERSAL series is versatility at its very best. A minimum amount of panel references provides for a maximum number of modular cold rooms.



More compact, even when stored

Another advantage of the UNIVERSAL MODULAR COLD ROOM is that because panel form has been unified it can be packaged more compactly, making it easier to transport and manipulate.

And because the number of references has been reduced you can optimize the stock available at your warehouse, resulting in important space savings.

Cold Rooms

Technical specifications

The UNIVERSAL MODULAR COLD ROOM is comprised of prefabricated sandwich type high density injected polyurethane foam modular panels, with a range of thicknesses adaptable to different insulation requirements.

/ MÓDULO

400 mm.

/ THICKNESS

60, 80, 100 mm.

/ LENGTH

Maximum length is 3,200 mm

/ JOINT SYSTEM

Off-centre hook with hexagonal key.

/ FINISH

Galvanized steel sheet, white lacquer, with removable protection film. Slightly ribbed.

White colour. Food safe quality.

Lacquer: polyester paint, 25 micron. Including primer

According to standard EN 10169.

AVAILABLE TO ORDER: Flat form. Other finishes.

/ INSULATION

Rigid polyurethane foam with no CFC or HCFC.

Density: 40 kg/m³ (+3-0kg/m³)

U-Value:

PANEL 60 = 0.38W/m² °C

PANEL 80 = 0.28W/m² °C

PANEL 100 = 0.23W/m² °C

/ FLOORS

Pedestrian floor- S8

Exclusively for pedestrian use. Interior 1mm thick nonslip plastic laminated sheeting.

Reinforced floor- M9

Reinforced floor ideal for pedestrian and manual trolley use. Interior finish reinforced with non-slip birch plywood and phenolic resin.

Reinforced superimposed floor

Non-slip 2/4 aluminium steel.

Non-slip 3/5 galvanized steel.

/ REFRIGERATOR DOOR

Hinged door 0.8m x 1.9m, coupled to a vertical panel.

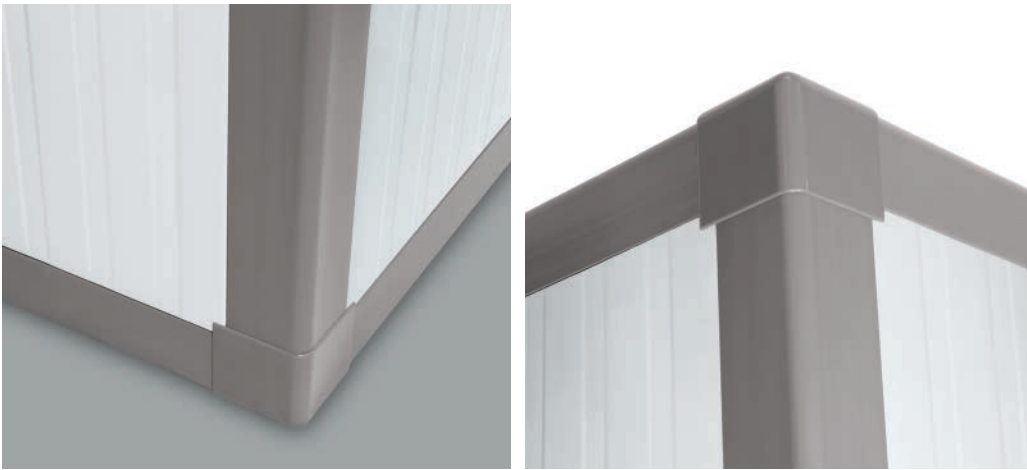
/ INCLUDED ACCESSORIES ARE

Vertical interior, ceiling and floor SANITARY TRIM on all models.

BALANCE VALVE in freezer (100mm panel cold rooms).

"U" FLOOR PIECE in FLOORLESS cold rooms.





/ ASSEMBLY INSTRUCTIONS

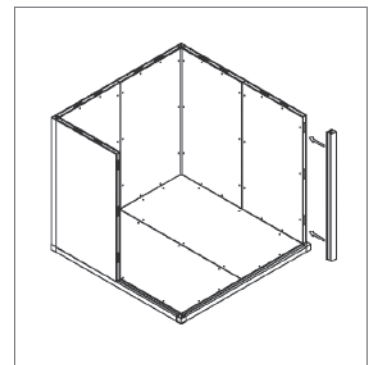
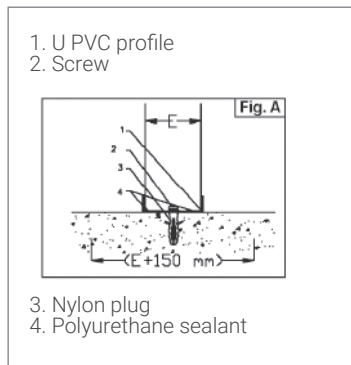
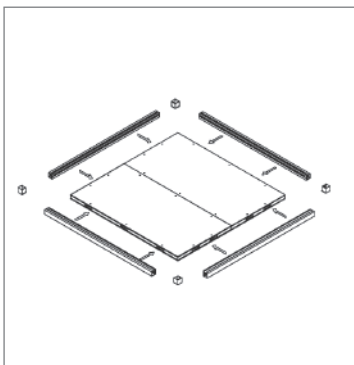
1ST STAGE

Assembly the floor panels then, fix the corners and adjust the covers. The floor should be completely flat.

If the cold room has no floor, the ground of the cold room perimeter shall be completely levelled width (E+150 mm). Fig A.

2ND STAGE

Fit the corners to the vertical panel and follow assembly the vertical panel.



3RD STAGE

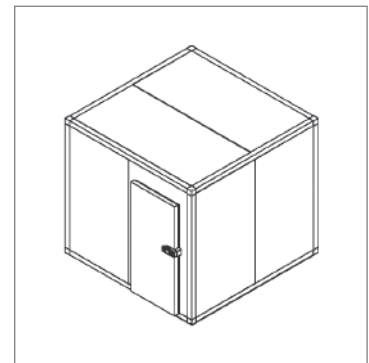
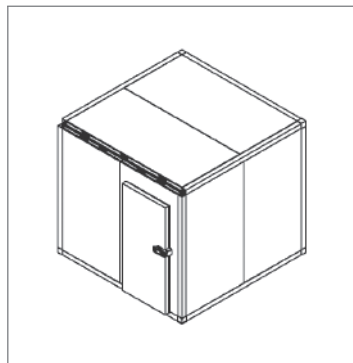
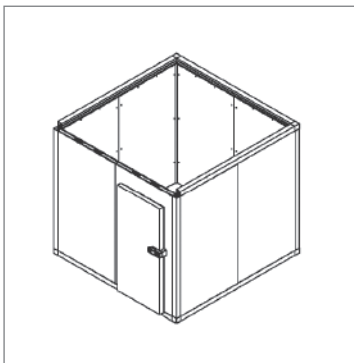
Finish the assembly of the vertical panels, put the upper corners.

4RD STAGE

Assembly the ceiling panels.

5RD STAGE

Place the last corner and adjust the covers.



Kide Everest cold room



In the KIDE EVEREST MODULAR COLD ROOM the union goes in the vertical sense, enabling the assembly of the vertical panels before assembling the ceiling. Therefore, less people are needed for assembly. Moreover, with this system it is possible to dismantle any part of the ceiling without unfastening the vertical panels.



By its quick and secure system of joining

The fastening system which KIDE has developed, besides being quick and simple, guarantees perfect adjustment between vertical panels, as well as between vertical and ceiling panels. Due to that, the insulation which the cold room offers is complete, complying with its function with the best results. The KIDE joint system is as simple to loosen as to adjust, which facilitates dismantling the panel quickly in case of need.



How is it possible to save up to 20% of the time in the assembly of the panel?

WITH THE NEW CEILING-WALL SUPPORT

KIDE has developed an exclusive system for joining vertical panels with ceiling panels. This system results in important advantages:

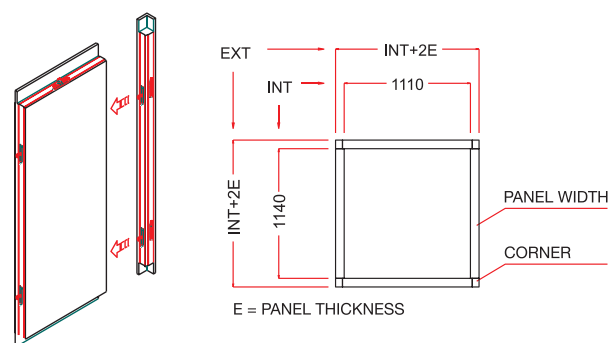
- 1. Ease of assembly and dismantling:** The union system with the joints between the panels goes in vertical sense, allowing the ceiling to be assembled after assembling the vertical panels and to be dismantled without unfastening the joints.
- 2. A perfect aesthetic sense thanks to the invisible joints:** The vertical panel goes from the floor up to the ceiling in one piece. Its union with the ceiling panel is made through a single joint which, thanks to our exclusive joint system becomes invisible, giving perfect aesthetics.
- 3. Great ceiling stability:** The horizontal panel is supported 55 mm on the vertical panel, giving total stability to the ceiling.
- 4. Total Insulation:** All joints, instead of being plane, are in male-female format, which guarantees a perfect adjustment between the panels, obtaining a complete insulation.



BY JOINING THE VERTICAL PANELS

Another advantage in the assembly of the KIDE MODULAR COLD ROOM is the incorporation of vertical corner pieces. Thanks to these panels, situated in each corner of the cold room, all vertical panels have the same design, resulting in a more simple and flexible assembly system.

Besides, the positioning of the door is more flexible than in the cold rooms with different types of panels, allowing to place it wherever you want. Unlike other companies, the KIDE corner pieces are made of the same material as the panels, with the same joint system, making assembly equally easy. Due to that, the exterior part of the cold room remains totally homogeneous.



Design at the service of the installer

The KIDE EVEREST MODULAR COLD ROOM, not only facilitates the assembly and dismantling of the cold room and guarantees total insulation, but it also gives an aesthetic sense by hiding the joints.



Technical specifications

The KIDE COMERCIAL EASY-PLUS COLD ROOM, is made up of prefabricated modular SANDWICH panels of polyurethane.

They have the **CE** marking according to the European standard EN 14509.

1ST COMPANY OF THE SECTOR IN SPAIN WITH



MARK FOR MODULAR COLD ROOMS

/ INSULATION

Rigid polyurethane foam, neither CFC nor HCFC
Density 40 Kg/m³ (tolerance +3 -0 Kg/m³)
Average COEFFICIENT OF THERMAL TRANSMISSION "U"

Panel thickness in mm.	60	75	100	120	150
U(W/m ² °C)	0,38	0,31	0,23	0,19	0,15

/ COATING

STANDARD:

Slightly ribbed sheet steel, galvanized and pre-lacquered with polyester (25µ) with a peelable protective film.

White colour. Food safe quality.

THROUGH ORDER:

Stainless Steel sheet.

Plastified steel sheet with food safe PVC of 120µ.

/ TYPE OF JOINT

Joint in male-female format made of polyurethane with inserted boxes. The assembly of the panels is carried out through an eccentric hook (stainless steel AISI 430), which is turned by a square key and hooks onto a metallic axle. The above-mentioned hooks guarantee a perfect joint and insulation, with a tensile strength of more than 200 Kg.

/ VERTICAL PANELS

MODULE: 190 mm.

THICKNESS: 60, 75, 100, 120, 150 mm.

WIDTH: 380, 570, 950 and 1.140 mm.

The maximum length is 4.000 mm.

The maximum inner height of COLD ROOM is 3.700 mm.

Temperature Range: between - 40°C and +75°C according to thickness.

/ FLOORS

Pedestrian floor- S8

Exclusively for pedestrian use. Interior 1mm thick nonslip plastic laminated sheeting.

Reinforced floor- M9

Reinforced floor ideal for pedestrian and manual trolley use. Interior finish reinforced with non-slip birch plywood and phenolic resin.

Reinforced superimposed floor

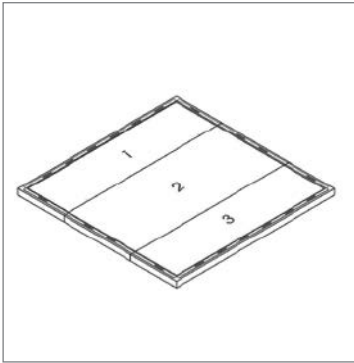
Non-slip 2/4 aluminium steel.

Non-slip 3/5 galvanized steel.

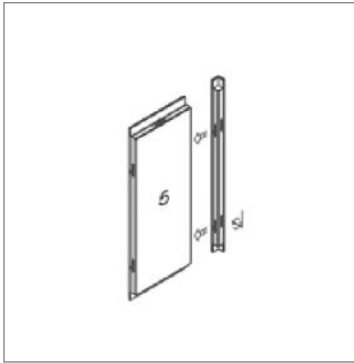


/ ASSEMBLY INSTRUCTIONS

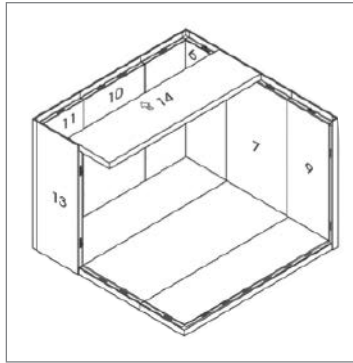
1ST STAGE



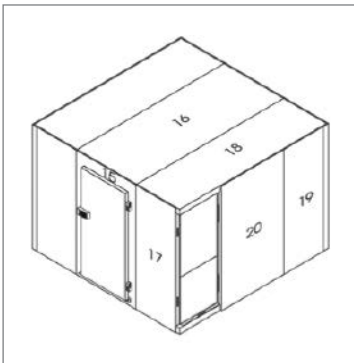
2ND STAGE



3RD STAGE

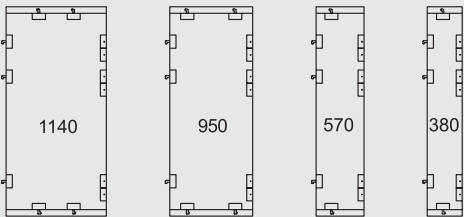


4RD STAGE



/ WHEN PLACING AN ORDER IT IS VERY IMPORTANT TO REMEMBER THE NEW MODULE SYSTEM OF THE COLD ROOMS

Due to the design of the MODULAR COLD ROOMS, with vertical corner pieces, we have changed the modulation system, going from 300 mm to 190 mm. This new modulation has unified the design of the panels, facilitating the assembly and allowing us to pack and deliver the panels in horizontal plane. In the same way, with this new modulation system, we have increased the number of standardised dimensions of the cold rooms.



Kide industrial cold panel

The KIDE INDUSTRIAL REFRIGERATION PANEL guarantees the maximum insulation in all kind of industrial cold rooms. It can be manufactured up to a length of 12m and 200mm thick, which reduces the number of joints in the walls and ensures a high insulation for any cold room size.

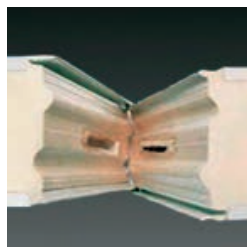
Union is strength and so is the insulation

KIDE has developed a double male female system which is reinforced by stainless steel cam locks. Kide cam locks have AISI 430 hook unlike polyamide hooks used commonly, the AISI 430 hook does not elongate and hence pulls the panels together ensuring a perfect seal.

The cam lock housing is made from high quality rigid PVC. The loops in the housing ensure a firm anchor in the foam, increasing considerably the pull out strength. Kide panel joints are better by design, providing total insulation and impermeable joint, which results in important energy savings day after day.



A SYSTEM THAT ATTRACTS



KIDE DOUBLE MALE-FEMALE FORMAT: A PERFECT JOINT FOR A TOTAL INSULATION





Easy to assemble and dismantle

The integrity of the joint between insulated panels determines the insulation properties of the cold room as a whole. KIDE panels are joined using cam locks with stainless steel AISI430 hooks, which not only provide structural strength, but also pull and retain the panels together ensuring an excellent insulation as well as a perfect aesthetic.

This fastening system requires only 3/4th of a turn for a quick and perfectly aligned joint. Thanks to its easy assembly, a substantial reduction in site activities results in saving both, time and money.

Manufacturing in discontinuous form brings continuous advantages

KIDE uses a discontinuous process to manufacture insulated panels. This process gives us a number of advantages: On one hand, flexibility in production allows to manufacture panels to size, thickness and other specific requirements of the customers. This flexibility also brings an optimization of the production planning and machine utilization, enabling to commit prompt answer and short delivery times.

On the other hand, manufacturing in discontinuous form allows us to supply a totally finished panel, ready to be assembled at site. The KIDE panel with cam locks requires minimum work and panels are easy to replace in case of needed.

Cold Rooms

Technical specifications

The KIDE SANDWICH panel has the **CE** marking according to the European standard EN14509.

/ INSULATION

Rigid polyurethane foam, neither CFC nor HCFC
Density 40 Kg/m³ (tolerance +3 -0 Kg/m³)
Average COEFFICIENT OF THERMAL TRANSMISSION "U"

Panel Thickness in mm.	60	80	100	120	150	180	200
U (W/m ² °C)	0,38	0,29	0,23	0,19	0,15	0,13	0,12
Panel weight Kg./m ² coating, 2 faces, sheet 0,5 mm.	11	12	13	14	15	17	18

/ REACTION TO FIRE

- Panel BS1d0 (according to EN13501-1)
- Working Range: Between -40 °C and +75 °C according to thickness.

/ COATING

STANDARD:

Steel Sheet slightly ribbed, galvanized and pre-lacquered polyester (25 μ) with a peelable protective film.

White colour. Food safe quality

THROUGH ORDER:

Stainless Steel sheet.

Steel sheet plastified with food quality PVC, 120 μ.

Other steel sheet thicknesses and finishes.



/ FASTENING SYSTEM

Double male-female format with stainless steel AISI430 cam locks. A square key is used to turn the hook on a metal axle. The eccentric cam movement of the hook pulls the two panels together ensuring a perfect joint.

Highest insulation of the joint:

- AIRTIGHTNESS = "0" at 50 Pa (EN-12114)
- WATERPROOFNESS = "A" at 1200 Pa (EN-12865)

/ FLOOR AND CEILING PANELS

Length: Maximum length of 12.000 mm.

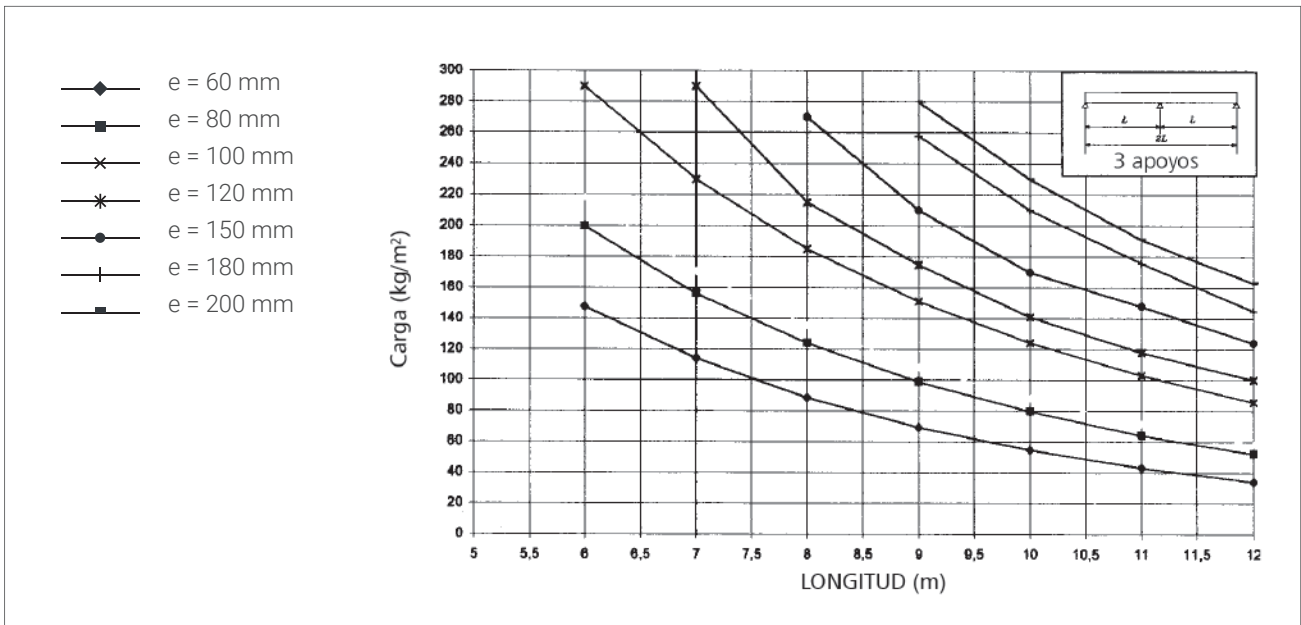
Width: Usable 1.180 mm. Total width 1.195 mm.

Thickness: 60, 80, 100, 120, 150, 180, 200 mm.

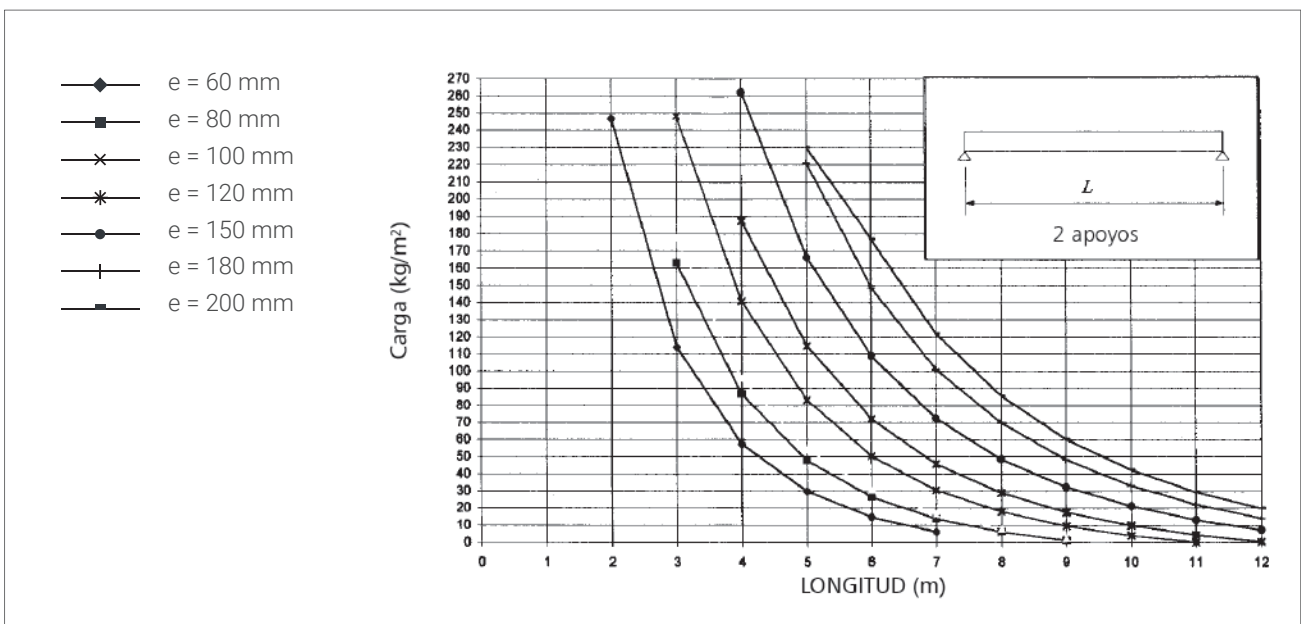
Tolerances: According to standard EN 14509.



Admissible load for panel with three supports and deflection
Of $l/200$, being l the distance between supports



Admissible load for panel with two supports and deflection of $l/200$,
being l the distance between supports



Admissible loads for these panels according to thickness,
deflection $L/200$ and standard NBE 95.

The safety coefficient is 1,7. So, according to this standard,
the load combinations SHOULD NOT be exceeded.



The guarantee of a big brand name

Every cold room and refrigeration unit is the result of a carefully studied process and production.

When buying one of our products, you can be sure of having chosen a long lasting quality.



Teamwork

We put everything we have into finding the best solutions for our customers' projects.



RELEVANT INFORMATION

EXCLUSIONS

- All material or work that was necessary and is not specified in this offer.
- Licenses, visas and permits, safety plan and safety coordinator.
- Cooling project.
- All movements at different floor levels or for distances of over 20 m that cannot be made with a fork lift truck will have an over cost to be invoiced at the rates in force.
- Acceptance and placement of the equipment in the planned places.
- Cranes or any other loading and unloading required elements.
- Removal of scrap material (remains or cuts of panels, etc).
- Masonry, carpentry and plumbing work such as leveling, drains, power supply, drainage, support points for supports, etc.
- Sealing between floor and panel.
- Silicone sealing of joints between panels.
- Finishing of gaps between chamber and masonry walls.
- Panel cut-outs for other applications.
- General cooling installation (pipes, valves and accessories for interconnection between elements) and replacement of refrigerant and oil as well as conduits and their installation.
- Lighting and lights.
- Channels, stainless steel and building work (in case of dryers) to facilitate the proper distribution of air among the product.
- Electrical power supply connections. The customer shall provide an electrical power supply connection that is suitable both for the necessary tools for the installation and operation of the cold room and the cooling equipment. Electrical connections 220 volts, 20 kW.
- Resistance/valve/alarm connection.
- Protected low voltage connection to the equipment's electrical panel.
- Cabling between equipment, probes and control panels, as well as computer, if necessary.
- Appropriate means for handling, lifting and rubble removal to be provided by the customer.
- Ethernet cabling (level 1) between the controllers' PLCs and the supervisory PC.
- All additional travelling due to reasons beyond the control of KIDE (installation area not prepared, fitting of plumbing, adjustment of doors after the preparation of the floor) shall be invoiced separately.
- The valuation of the offer has been carried out in accordance with drawings or measurements provided by the customer / engineering. In case of unexpected works not specified on the drawings, such as the lining of columns, cutting as a consequence of incorrect measurements, ramps, logs, etc., they will be invoiced separately.

GENERAL SALES CONDITIONS

- The order shall be considered if and only if it is accepted by an Insurance company or Credit Institution, and provided that there is no outstanding credit balance with KIDE.
- In the case of orders which include delivery, when placing the order, the client should specify if delivery by normal lorry is problematic due to access difficulties. This special transport will be invoiced separately and a supplement of 6% of the merchandise value will be applied.
- The delivery time will start to be counted after written confirmation and acceptance of the order, and compliance with the payment terms (receipt of the down payment, notification of the letter of credit, etc...). The delivery time is considered as the point at which the material is packaged and ready for delivery. In the event of coinciding with holiday periods (Easter, Christmas, summer), the dispatch date may be delayed accordingly; therefore, getting confirmation is recommended.
- In case of payment by letter of credit, it will be Irrevocable and confirmed, open at a first rate bank (BBVA, SABADEL, SANTANDER, LABORAL KUTXA, BANKINTER, BANKIA). The duration of the credit shall be at least one month longer than the established delivery time. KIDE shall neither be obliged to start the manufacture of the goods, nor to provide the services until the confirmation and acceptance of the letter of credit by KIDE.
- The place of compliance of the contractual obligations corresponds to that of the KIDE facilities at its registered address. The obligations shall be understood to be met by KIDE when it communicates to the Customer the availability of the goods in the facilities at the registered address of the manufacturer. The ownership of the manufactured goods shall only be transferred after full payment has been made; however, the risk of loss and/or damage shall be transferred from the time the goods are ready and available at the place of compliance of the contractual obligations.
- If in a period of 15 days from the time KIDE made the goods and/or services are ready and available to the Customer, he does not indicate a place of delivery for them or does not take responsibility for the material and/or the services, KIDE reserves the right to prematurely terminate the contract, to scrap the material at the cost of the Customer, and claim from the Customer the costs for scrapping, temporary storage, losses for resale to third parties and any other damages arising from the situation, and it has to right to deduct these damages from the amount advanced by the Customer.

- Alternatively, KIDE shall have the right to store the manufactured goods at its facilities or at the facilities of a third party and may claim for this item a cash penalty of €15 per m²/month, without prejudice to KIDE's right to claim the damages that the situation has caused to it. The aforementioned storage can be extended to a maximum of 45 days. Once this period has elapsed KIDE may terminate the Contract without prejudice to its right to claim all the damages that have been caused to it.
- If the payment is not made by the fixed due date, KIDE will add the financial cost corresponding to the delay in the payment. In the event of a delay in payment, whatever the reason, KIDE shall be entitled to increase the price at the rates of interest fixed in accordance with law 3/2004 of 29 December for the prevention of arrears in business transactions. If it is necessary to resort to legal procedures to recover the amounts, the amount of the claimed debt shall be increased by the costs incurred for their recovery, which cannot be less than 15% of the debt, in accordance with the penalty clause, without prejudice to KIDE's right to claim all the damages that the non-compliance of the customer has caused.
- Should any debt not be paid on schedule, the full amount will mature automatically, payment of the remaining balance may be demanded and deliveries and work will be suspended.
- KIDE guarantees its equipment against all material and manufacturing defects for a period of 12 months from the delivery or a maximum of 14 months from the time of readiness for dispatch. This warranty obligation consists EXCLUSIVELY of the replacement of the part of the product recognised as being defective and does not include: any expenses related to shipment, refrigerant, installation, assembly or dismantling, or any damages which may have been caused.

The delivered replacement product shall be guaranteed under the same terms and conditions applicable to that which it replaced and for the remaining period of the guarantee.

The guarantee shall only apply if the equipment has been transported, stored and handled in accordance with KIDE's instructions, has not been mistreated or been damaged due to an accident or negligence of the customer or of third parties, and only KIDE personnel or those authorized by it have been involved in the operations.

KIDE's liability for all the actions of a claim on an order is limited to the total amount of that order. The customer waives claim to any other damages that may ensue.

The replaced material shall become the property of KIDE unless it authorizes its destruction. If its return is expressly requested, this should be done within 15 days. In this case, KIDE will bear the costs arising from the return and/or delivery of the defective material.

Other costs, such as those for travelling and workmanship of technical staff, shall be covered by the customer.

KIDE also guarantees the availability of spares, whether of the affected components or of the functional parts in which these are integrated, for 5 years.

With the aim of guaranteeing the quality of the supplied equipment and prior to its delivery, KIDE S. Coop allows it to be inspected by a specialized laboratory in its facilities; the costs arising from this inspection are borne by the customer.

KIDE shall, under no circumstances, be liable for indirect damages caused to the Customer or a third party as a result of operating losses, loss of sales, income or business or service interruptions, loss of profits or other indirect, intangible non-economic or consequential losses or as a result of losses of a similar type.

- When the INSTALLATION service is contracted, this will have a guarantee of FIFTEEN DAYS from the date on which the installation ends.

- For products marketed but not manufactured by KIDE, the manufacturer's guarantee of these products shall apply under the conditions established by it, which KIDE shall hand over to the customer.

- The purchaser shall hold KIDE harmless from any claim that it receives from third parties due to any cause other than a manufacturing defect of the products, as well as all costs incurred in the defence against these claims.

- The purchaser must inspect the products upon receipt. If, when the goods are received, they are not checked and the delivery note is signed as conforming, or if a timely claim is not made within 24 hours, KIDE shall not respond to the defects.

- The purchaser must sign the delivery note for the material and/or the acceptance certificate for the installations, once received. In all cases, the material will be considered as accepted without remarks from the moment at which it starts to be used.

- For the resolution of any issue or dispute that may exist between the parties on the validity, interpretation, execution and/or termination of the contract, the Courts and Tribunal's corresponding to KIDE's registered address shall have exclusive jurisdiction. This Contract is subject to Spanish legislation.

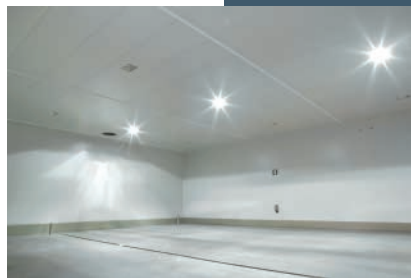
Note: KIDE is not responsible for any errors or misinterpretations of the rates or information contained in the catalogue. KIDE also reserves the right to modify the information and values contained therein without prior notice. This information does not constitute a contractual guarantee.

KIDE, S.Coop. Ltda. Reg. Oficial Coop. del M.T. Nº 20750 - Reg. Soc. Cooperativas del G. Vasco nº VI-215119/86 N.I.F.: F-48071377

Notes

A series of horizontal dotted lines for writing notes.

Ruled writing lines for text entry.



PRODUCTION FACILITY AND COMMERCIAL OFFICE

SPAIN:

· Berriatua · Arrona



kide

HEADQUARTERS

Polígono Gardotza s/n
48710 BERRIATUA
Bizkaia (Spain)

Tel: +34 94 603 62 00

e-mail: kide@kide.com
www.kide.com

